



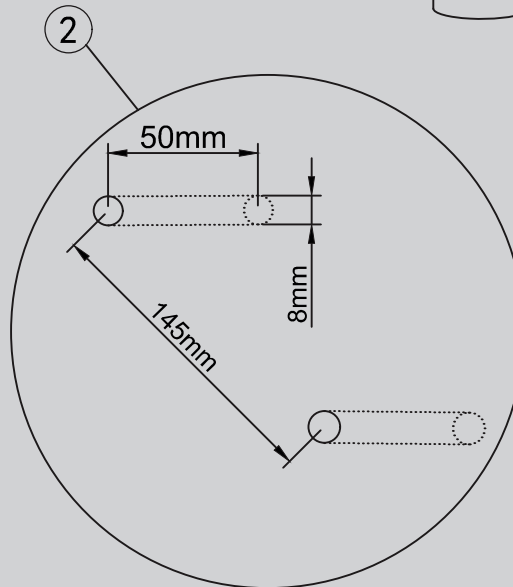
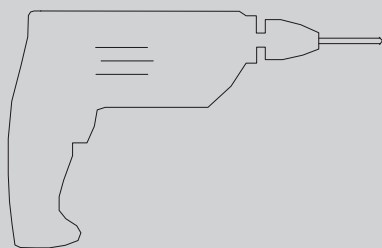
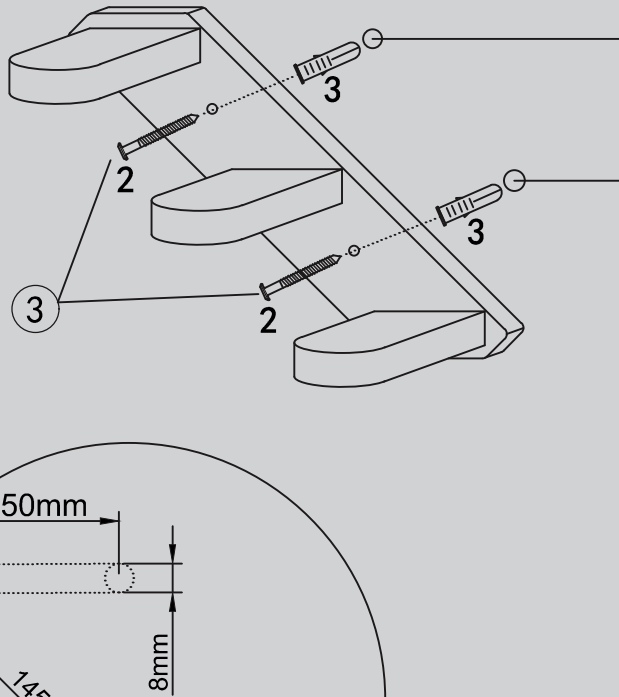
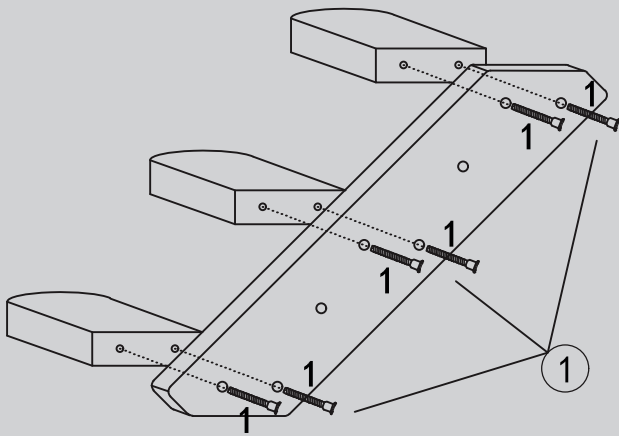


- |          |                                                                                   |          |                                                                                   |          |                                                                                   |          |                                                                                     |
|----------|-----------------------------------------------------------------------------------|----------|-----------------------------------------------------------------------------------|----------|-----------------------------------------------------------------------------------|----------|-------------------------------------------------------------------------------------|
| <b>1</b> |  | <b>2</b> |  | <b>3</b> |  | <b>5</b> |  |
|          | M6*50mm<br>6 PCS                                                                  |          | M5*60mm<br>2 PCS                                                                  |          | Ø8*40mm<br>2 PCS                                                                  |          | 1 PC                                                                                |



(DE) Bitte halten Sie die Reihenfolge der Arbeitsschritte 1,2,3,... von der Skizze ein.  
 (FR) Veuillez suivre la sequence du Workflow 1, 2, 3 ...comme vous pouvez le voir sur le schema.  
 (EN) Pls follow the sequence of the workflow 1,2,3,... as you can see on the draft.